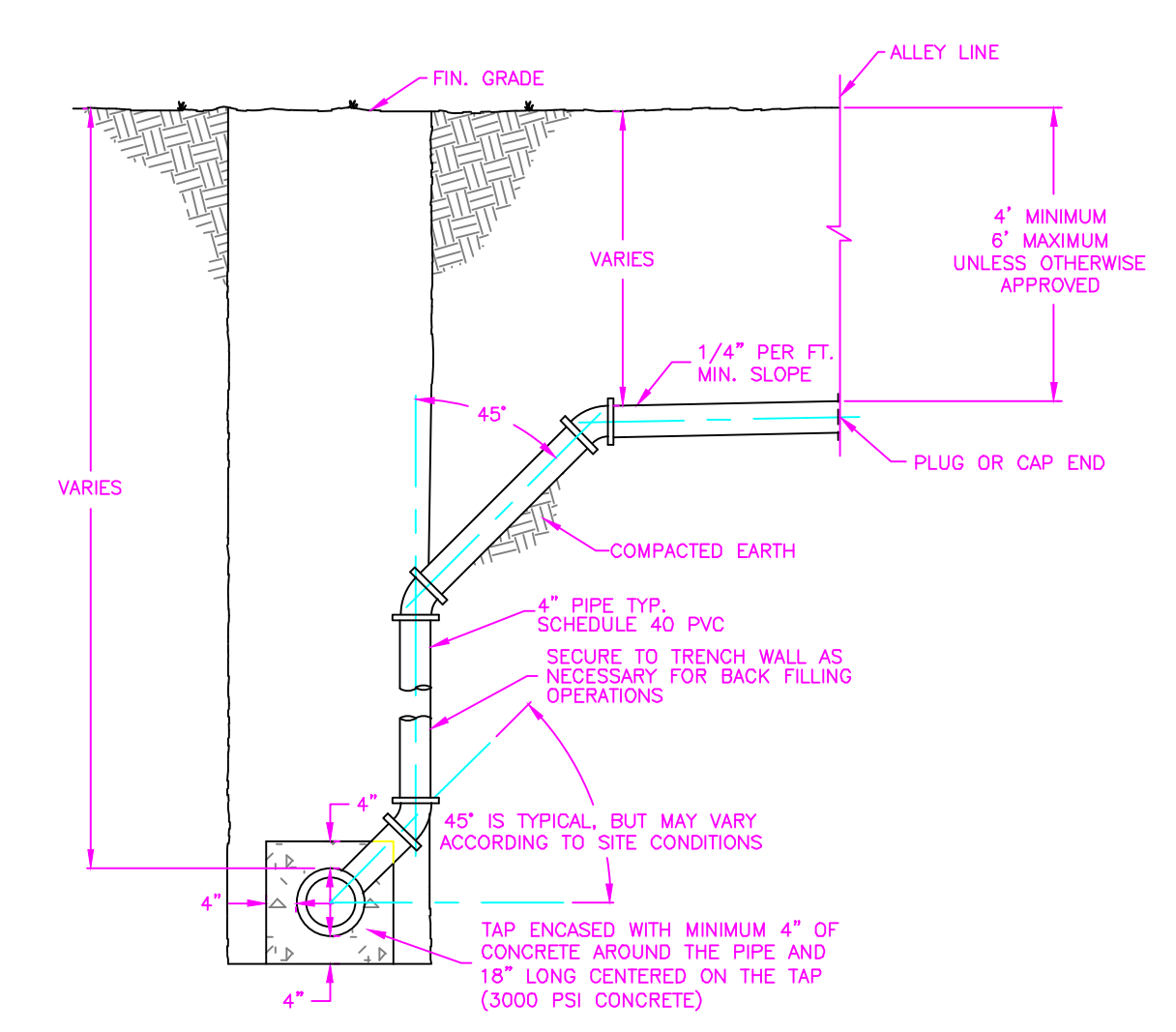


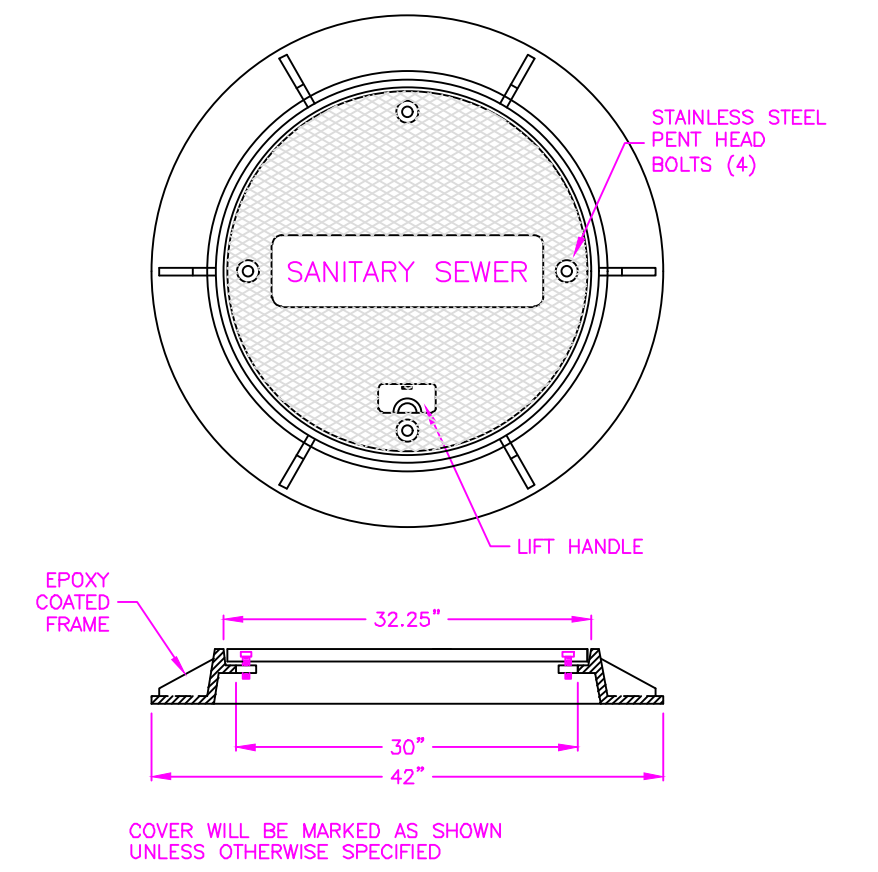
- NOTE:**
1. TAPS 8" OR LARGER WILL REQUIRE CONSTRUCTION OF A MANHOLE.
 2. TAP TO BE PLACED AT LOCATION SHOWN ON CITY OF CANYON STANDARD LOCATION CHART. (TYPICALLY AT THE CENTER OF THE LOT WIDTH)
 3. THIS DETAIL SHALL APPLY WHEN DEPTH OF SEWER MAIN LESS THAN 10'.

SHALLOW SEWER TAP DETAIL
NOT TO SCALE

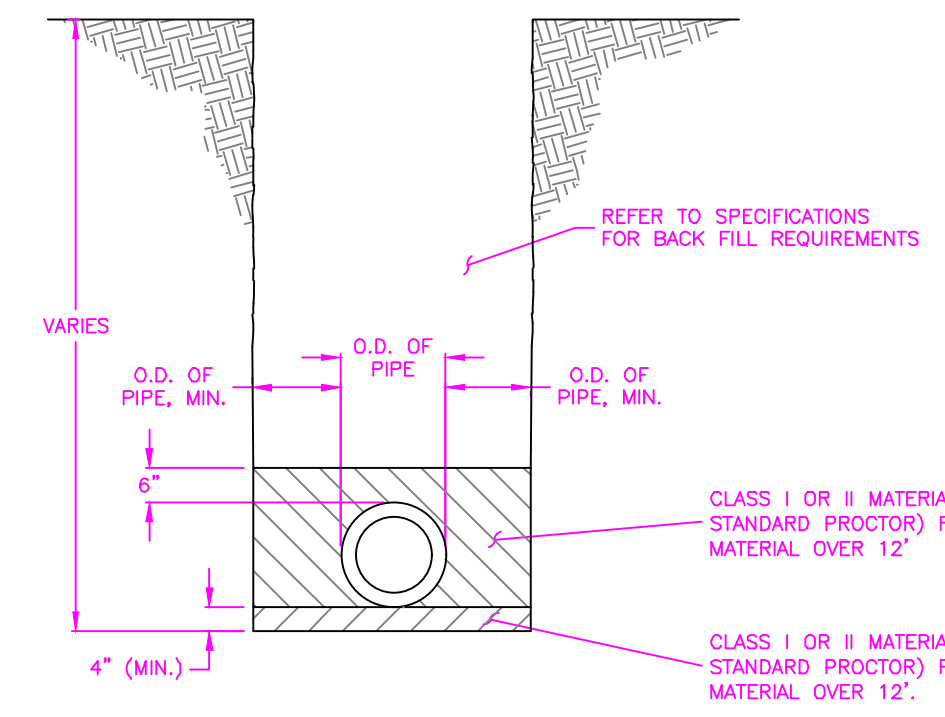


- NOTE:**
1. TAPS 8" OR LARGER WILL REQUIRE CONSTRUCTION OF A MANHOLE.
 2. TAP TO BE PLACED AT LOCATION SHOWN ON CITY OF CANYON STANDARD LOCATION CHART. (TYPICALLY AT THE CENTER OF THE LOT WIDTH)
 3. THIS DETAIL SHALL APPLY WHEN DEPTH OF SEWER MAIN EXCEEDS 10'.

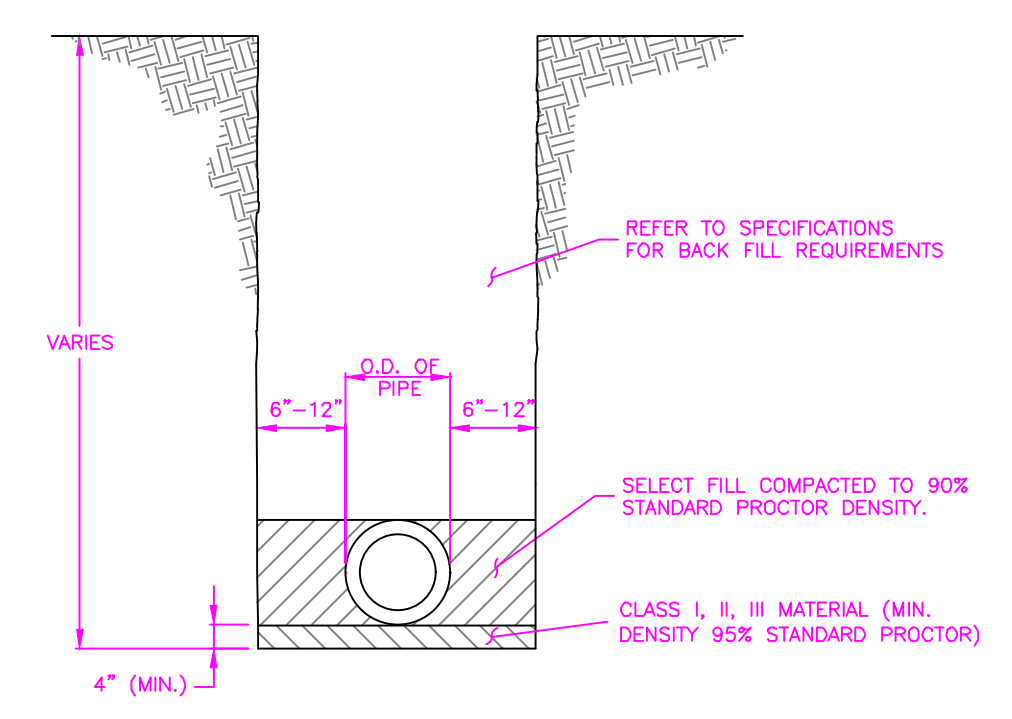
SEWER TAP DETAIL
NOT TO SCALE



**CORROSION RESISTANT 30\"/>
 NOT TO SCALE**

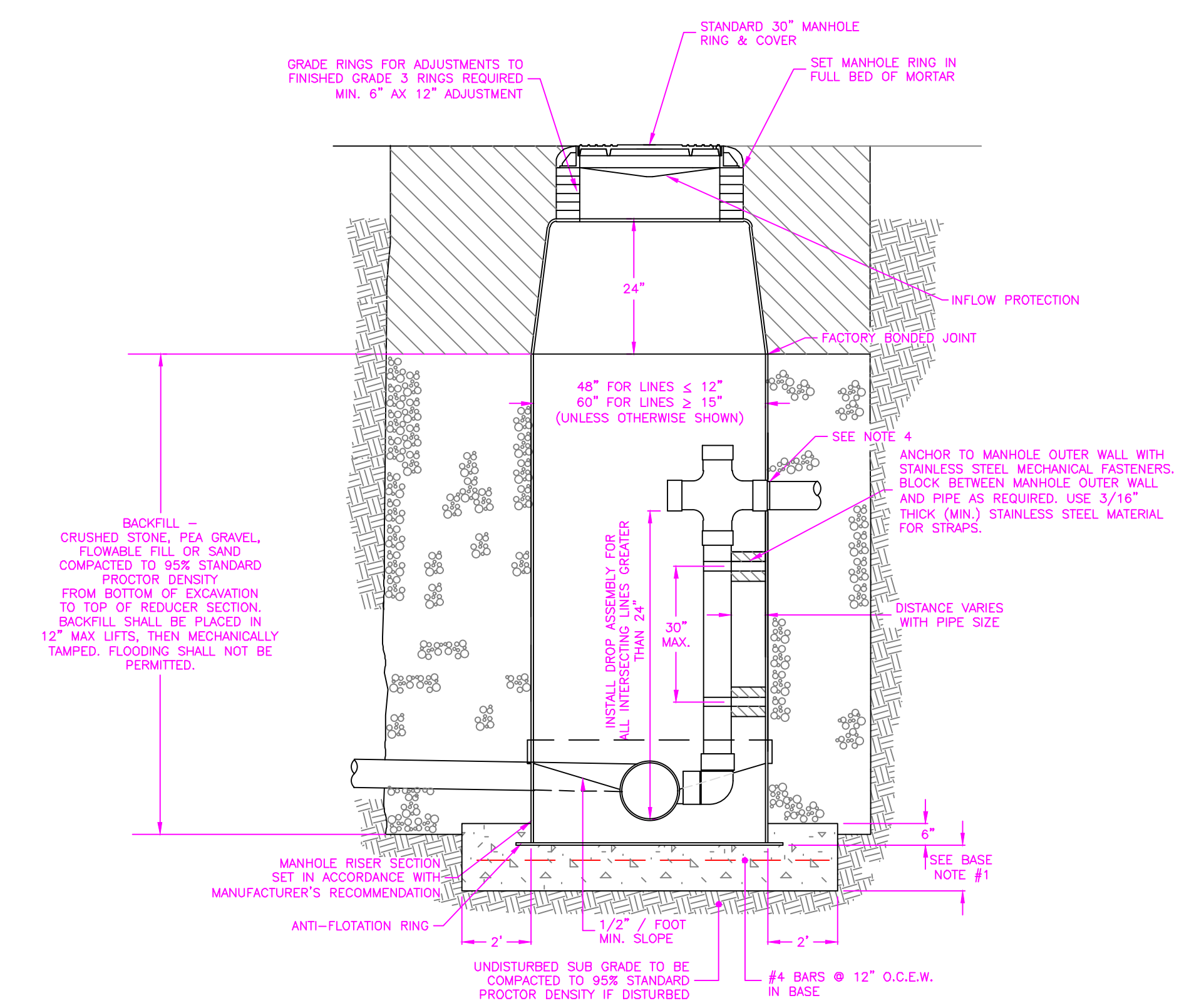


PVC SANITARY SEWER PIPE EMBEDMENT DETAIL
NOT TO SCALE



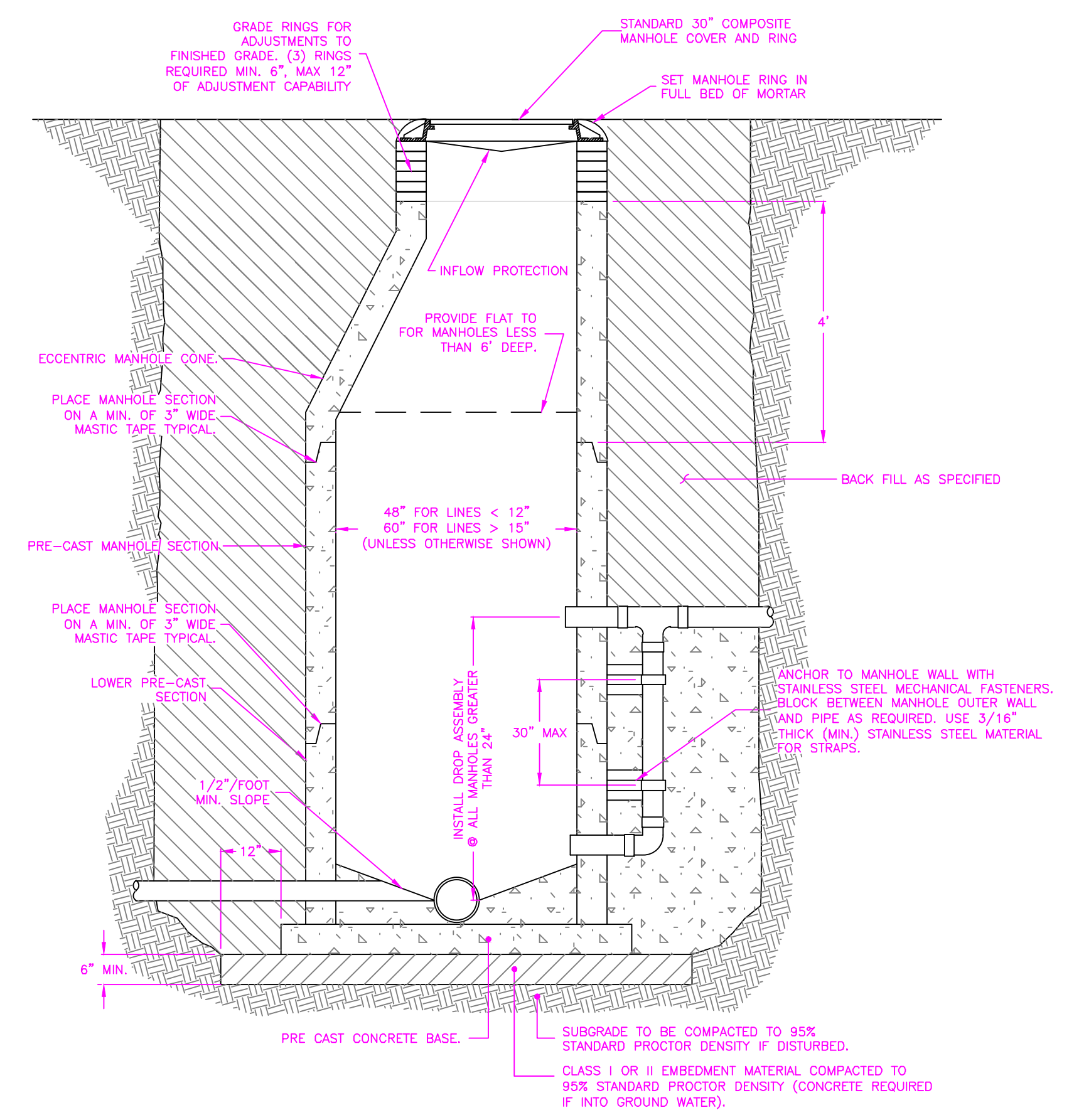
DIP SANITARY SEWER PIPE EMBEDMENT DETAIL
NOT TO SCALE

- GENERAL MANHOLE NOTES:**
- 1) MANHOLE RISER SECTION TO BE SET IN ACCORDANCE W/ MANUFACTURER'S RECOMMENDATION.
 - 2) DROP MANHOLE TO BE INSTALLED AT ALL LOCATIONS WITH DROP GREATER THAN 24" FROM CONNECTING PIPE TO FLOOR OF MANHOLE.
 - 3) CONTRACTOR TO PROVIDE INFLOW PROTECTION AT ALL MANHOLES INFILTRATOR AS MANUFACTURED BY WESTERN IRON WORKS OR APPROVED EQUAL.
 - 4) CONTRACTOR TO PROVIDE PIPE CONNECTORS IN ACCORDANCE WITH ASTM C923 FOR GRAVITY AND FORCE MAIN TIE-INS.
 - 5) FOR MANHOLES WITH CONNECTING PIPES LESS THAN 15", CHANNEL DEPTH TO BE A MIN. OF 1/2 THE LARGEST PIPE DIAMETER. FOR MANHOLES WITH CONNECTING PIPES 15" TO 24", CHANNEL DEPTH TO BE A MIN. OF 3/4 THE LARGEST PIPE DIAMETER.
 - 6) BENCH SLOPE TO BE A MIN. OF 1/2" PER FOOT.



- BASE NOTES:**
1. MANHOLES W/ DEPTHS LESS THAN 10' SHALL REQUIRE A 6" BASE REINFORCED WITH #4 BAR @ 12" O.C.E.W. MANHOLES W/ DEPTHS OF 10' AND GREATER SHALL REQUIRE A 12" BASE REINFORCED W/ #4 BAR @ 12" O.C.E.W.
 2. PLACE 6" OF CONCRETE ABOVE THE ANTI-FLOTATION RING.
 3. ADDITIONAL FOUNDATION OR CONCRETE MAY BE NEEDED IN HIGH WATER TABLE AREAS. SUBMIT WATER TABLE DATA TO CITY OF CANYON FOR REVIEW.

FIBERGLASS MANHOLE & DROP ASSEMBLY DETAIL WITH FIBERGLASS BASE
NOT TO SCALE



PRE CAST SANITARY SEWER MANHOLE
NOT TO SCALE

REVISIONS:	
DATE:	09.09.09
SHEET	1
OF	1
SHEET NO:	1